

COPPER m8COMPACT®



GENERAL DESCRIPTION

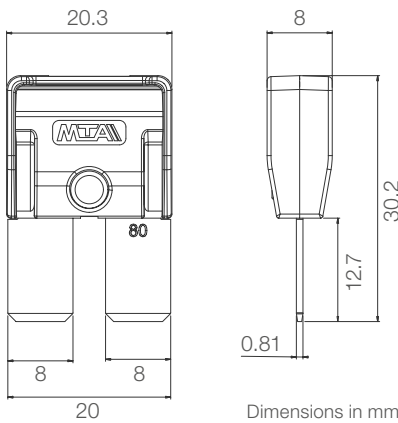
Breaking capacity	1000 A
Voltage rating	32 V
Ambient temp. + overheating	-40 °C to +150 °C
Body material	See table below
Cover material	See table below
Cover color	Transparent
Blade material	Copper
Blade coating	Silver
Vibration class compliant with	ISO 16750-3 Test IV
Compliant with	ISO 8820-11 (type M) REACH, RoHS

RATINGS

Size [A]	Color coding	Body material	Cover material	Expected voltage drop [mV]	ISO cable size [mm ²]	I ² t* [A ² s]	Average cold resistance** [mΩ]
30	Light green	PA66-GF25	PESU	90	4.0	9000	1.9
40	Orange	PA66-GF25	PESU	88	4.0	12000	1.4
50	Red	PA66-GF25	PESU	83	6.0	17000	1.0
60	Blue	PA66-GF25	PESU	102	6.0	19000	0.9
70	Brown	PA6T/66-GF30	PEI	108	10	25000	0.7
80	Black	PA6T/66-GF30	PEI	108	10	27000	0.6
100	Violet	PA6T/66-GF30	PEI	74	10	75000	0.4

*Calculated from breaking capacity test
**At ambient temperature = 23 ±1 °C

OVERALL DIMENSIONS

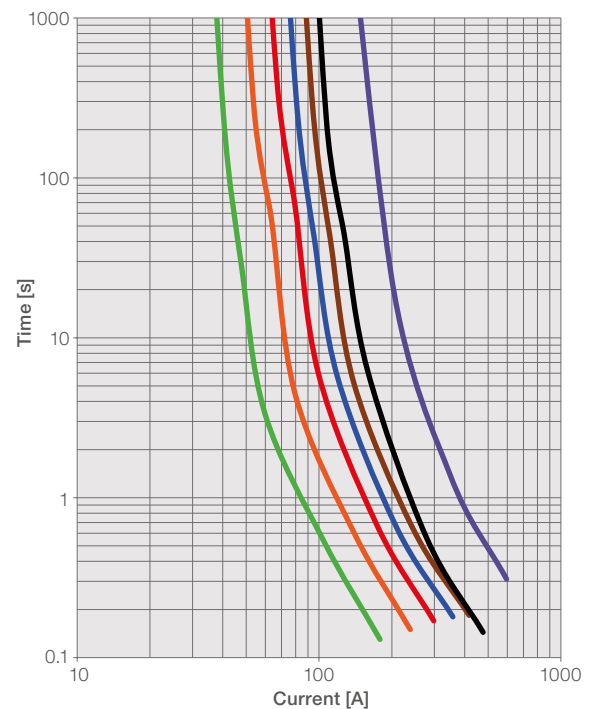


MELTING TIME AND CURVE

Operating time limits:

% I _R	Min [s]	Max [s]
1.00*	360000	∞
1.35**	60	900
1.60**	10	200
2.00	2	60
3.50	0.2	7
6.00	0.04	1

Melting time graph at 23 °C on test module ISO
*Not required for 80 A - 100 A high current fuse links
**Not required for 100 A high current fuse links



DERATING CURVE

