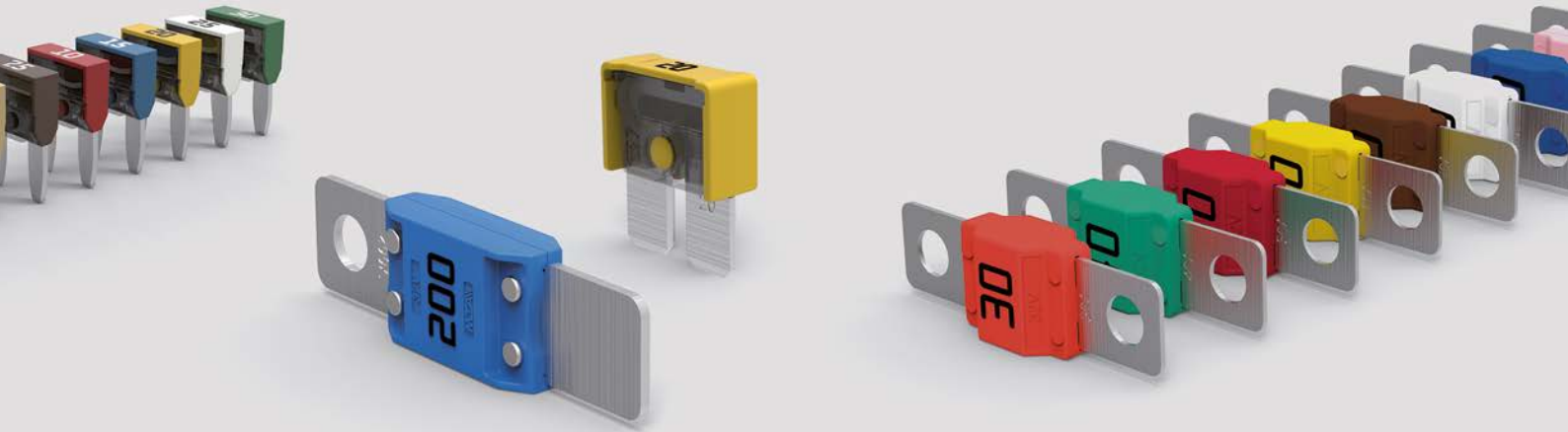


AUTOMOTIVE FUSES



TECHNOLOGICAL KNOWLEDGE AND HIGH PERFORMANCES

MTA has been developing and producing fuses for automotive applications since 1954 and invests each year in Research & Development to grant state-of-the-art products to remain at the forefront of technological innovation.

A dedicated Research & Innovation Team concentrates on entering new fuse typologies in the market, presenting new solutions and new technologies to secure a leading competitive position.

MTA is a member of ISO committee with several OEMs homologations.



Download all the technical data sheets on
www.mta.it/en/fuses

THE RANGE

Besides the most known Mini, Standard and Maxi blade fuses, and the Midi and Mega bolt-down, MTA has developed two special ranges of fuses called "Compact" and "Power".

The Compact range, consisting in MaxiCompact, M8Compact and MegaCompact, has been developed to meet the latest demands of a market that requires smaller and lighter fuses. Simulations of real-world applications in fuse boxes have shown how we can obtain a considerable decrease in the raw materials used, the size and the total weight of the finished product.

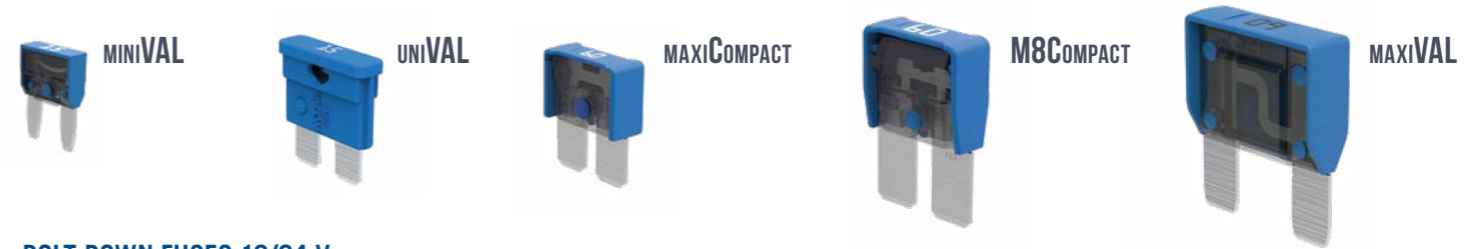
The PowerVal line has been developed in order to safeguard loads as traditional starters and their feed systems both from electrical malfunction (overloading and/or short circuit) and mechanical problems (shaft stoppage and subsequent overcurrent).

CUSTOMIZED FUSES

The increasingly complex geometries of the distribution boxes have led us to develop fuses with blades to be screwed, to be clinched. In some cases they may be bent, in other cases they can be designed as male counterparts for clip terminals of different sizes and shapes.



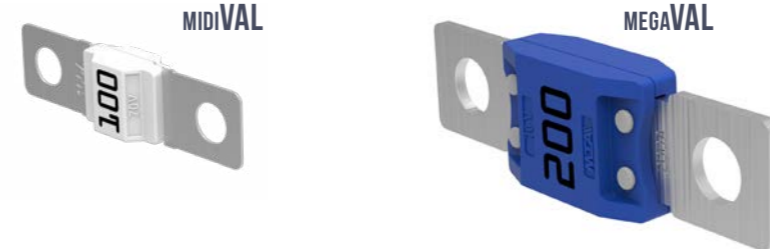
BLADE FUSES 12/24 V



BOLT-DOWN FUSES 12/24 V



BOLT-DOWN FUSES 48 V



BLADE FUSES 12/24 V

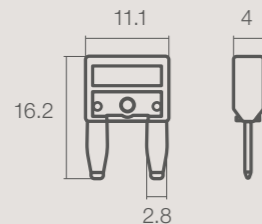


MINI VAL®

Tin plated zinc alloy

Scale 1:1 size,
dimensions in mm

2 A	Grey
3 A	Violet
4 A	Pink
5 A	Light brown
7.5 A	Brown
10 A	Red
15 A	Blue
20 A	Yellow
25 A	White
30 A	Green

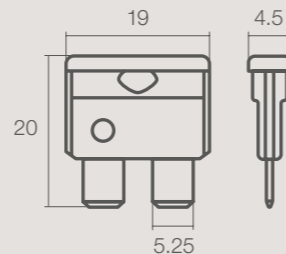


UNI VAL®

Tin plated zinc alloy

Scale 1:1 size,
dimensions in mm

1 A	Black
2 A	Grey
3 A	Violet
4 A	Pink
5 A	Light brown
7.5 A	Brown
10 A	Red
15 A	Blue
20 A	Yellow
25 A	White
30 A	Green
40 A	Orange



MAXI COMPACT

The MaxiCompact range is meant as a substitute for MaxiVal and J-case fuses in the stated current range. They are smaller than the current solutions and accommodate thinner wires, thus enabling significant space and weight saving.

Tin plated zinc alloy

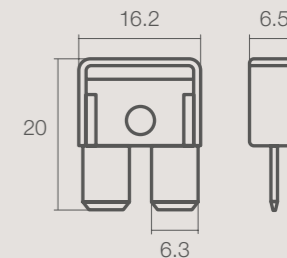
20 A	Yellow
25 A	White
30 A	Light green
35 A	Dark green
40 A	Orange
50 A	Red
60 A	Blue

Silver plated copper

25 A	White
30 A	Light green
35 A	Dark green
40 A	Orange
50 A	Red
60 A	Blue



Scale 1:1 size,
dimensions in mm



BLADE FUSES 12/24 V

BLADE FUSES 12/24 V



M8COMPACT®

The M8Compact range combines the typical high-current performance of MaxiVal fuses, which it is meant to substitute, but requires 46% less space. The concept is the same adopted for the MaxiCompact range, with smaller tolerance ranges and higher self-heating performance.

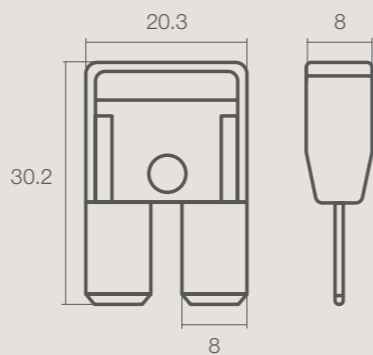
Tin plated zinc alloy

30 A	Light green
35 A	Dark green
40 A	Orange
50 A	Red
60 A	Blue
70 A	Brown
80 A	Black

Silver plated copper

30 A	Light green
40 A	Orange
50 A	Red
60 A	Blue
70 A	Brown
80 A	Black
100 A	Violet

Scale 1:1 size, dimensions in mm



BLADE FUSES 12/24 V



MAXIVAL®

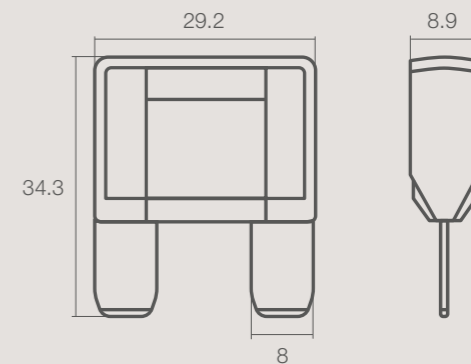
Tin plated zinc alloy

20A	Yellow
30A	Green
40A	Orange
50A	Red
60A	Blue
70A	Light brown
80A	White
100A	Violet

Silver plated zinc alloy

40A	Orange
50A	Red
60A	Blue

Scale 1:1 size, dimensions in mm



BOLT-DOWN FUSES 12/24 V



MIDI VAL®

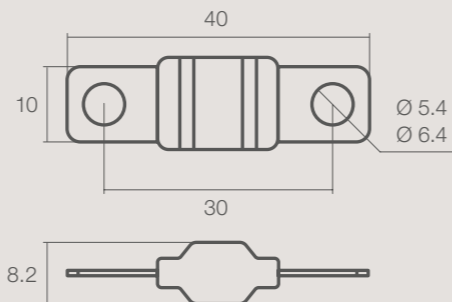
Tin plated zinc alloy
M5 bolts available

30 A	Orange
40 A	Green
50 A	Red
60 A	Yellow
70 A	Brown
80 A	White
100 A	Blue
125 A	Pink

Tin plated copper
M5 or M6 bolts available

30 A	Orange
40 A	Green
50 A	Red
60 A	Yellow
70 A	Brown
80 A	White
100 A	Blue
125 A	Pink
150 A	Grey
175 A	Light brown
200 A	Violet

Scale 1:1 size, dimensions in mm



BOLT-DOWN FUSES 12/24 V



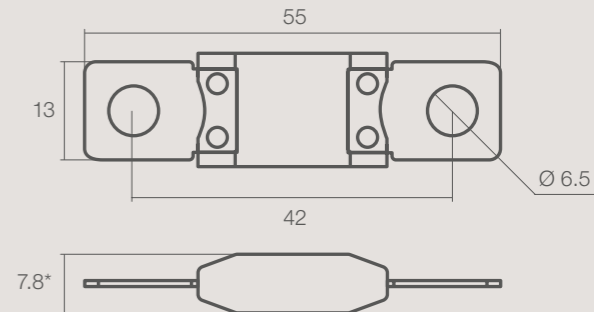
MEGA COMPACT

If compared to the MegaVal, the MegaCompact allows for a reduction in area and volume of about 30%.

Tin plated copper

80 A	Red
100 A	Yellow
125 A	Green
150 A	Orange
175 A	White
200 A	Blue
225 A	Light brown
250 A	Pink
300 A	Grey
CAL.5	Black

Scale 1:1 size, dimensions in mm



*200-300 A and CAL.5: 8.2 mm

BOLT-DOWN FUSES 12/24 V



MEGAVAL®

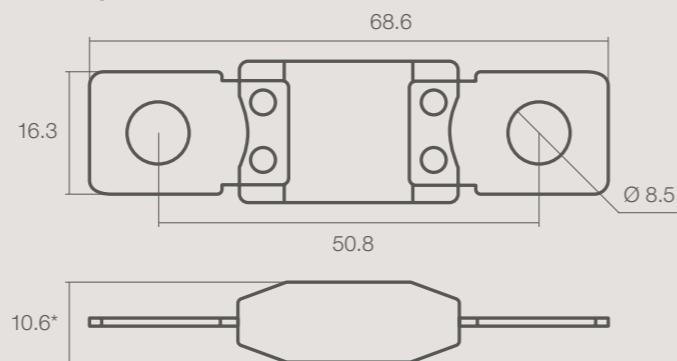
Tin plated zinc alloy

100 A	Yellow
125 A	Green
150 A	Orange
175 A	White
200 A	Blue
225 A	Light brown
250 A	Pink

Tin plated copper

100 A	Yellow
125 A	Green
150 A	Orange
175 A	White
200 A	Blue
225 A	Light brown
250 A	Pink
300 A	Grey
400 A	Violet
500 A	Brown

Scale 1:1 size, dimensions in mm
MegaVal and PowerVal



*MegaVal tin plated copper 100-175 A: 10.4 mm

BOLT-DOWN FUSES 12/24 V



POWERVAL®

This range of fuses features the same shape and dimensions of MegaVal allowing easy interchangeability.

Their Ohm value, assessed and optimized, guarantees the lowest possible voltage drop on the line. They have high capacity to sustain heavy power surges, and an operating time curve to ensure efficient protection of the entire range of electrical malfunctions.

Tin plated zinc alloy

CAL.1	Grey
CAL.2	Black

Tin plated copper

CAL.3	Red
CAL.4	Brown
CAL.5	Wheat Grey

48 V FUSES

The 48 V rated voltage fuses have been developed to support the most energy-demanding systems of electric and hybrid vehicles. Thanks to specific technologies and enhanced performances, and according to international standards, they can operate up to 70 VDC.

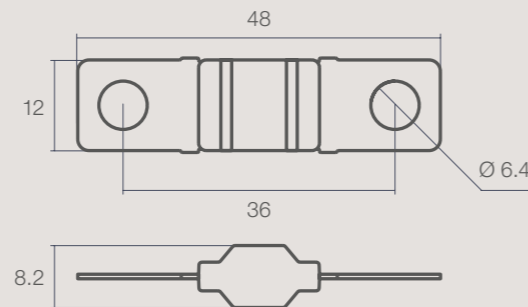


MIDI VAL®

Tin plated copper

100 A	White
125 A	White
150 A	White
175 A	White

Scale 1:1 size, dimensions in mm

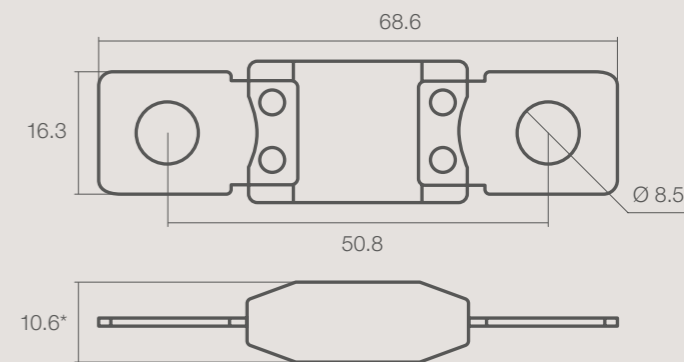


MEGA VAL®

Tin plated copper

100 A	Yellow
125 A	Green
150 A	Orange
175 A	White
200 A	Blue
225 A	Light brown
250 A	Pink
300 A	Grey
400 A	Violet
500 A	Brown

Scale 1:1 size, dimensions in mm



*100-175 A: 10.4 mm



www.mta.it



AUTOMOTIVE FUSES
Version 1.5
October 2023

DISCLAIMER – Products, information, drawings, specifications and reference numbers (hereafter “contents”) discussed herein are for reference purposes only. All contents herein are provided on an “as is” basis, without warranties of any kind. The contents discussed herein remain the sole and exclusive property of MTA S.p.A. and shall not be copied, translated in whole or in part without MTA S.p.A. prior written consent. No license of any patent, copyright, mask work, trademark or any other intellectual property right is granted under this document, by implication, estoppel or otherwise. Contents may be modified and changed by MTA S.p.A. without any notice. For updates or additional information about MTA products, please contact your nearest MTA office. All brand names, trademarks and registered trademarks belong to their respective owners.

