

# SILVER PLATED MAXIVAL®



## GENERAL DESCRIPTION

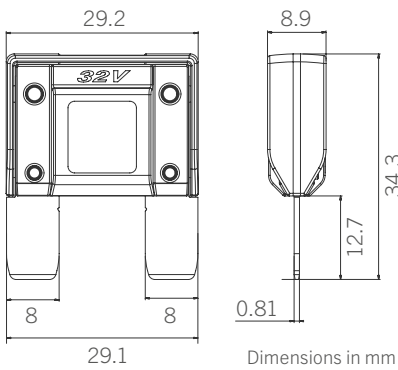
Breaking capacity	1000 A
Voltage rating	32 V
Ambient temp. + overheating	-40 °C to +150 °C
Body material	See table below
Cover material	See table below
Cover color	Transparent
Blade material	Zinc
Blade coating	Silver plated
Vibration class compliant with	ISO 16750-3 Test IV
Compliant with	ISO 8820-3 (type E) REACH, RoHS

## RATINGS

Size [A]	Color coding	Body material	Cover material	Expected voltage drop [mV]	ISO cable size [mm <sup>2</sup> ]	I <sup>2</sup> t <sup>(a)</sup> [A <sup>2</sup> s]	Average cold resistance <sup>(b)</sup> [mΩ]
20 <sup>(c)</sup>	Yellow	PA66-GF25	PSU	-	4.0	-	-
30 <sup>(c)</sup>	Dark green	PA66-GF25	PSU	-	4.0	-	-
40	Orange	PA66-GF25	PSU	90	4.0	23000	1.5
50	Red	PA66-GF25	PSU	89	6.0	37000	1.2
60	Blue	PA66-GF25	PESU	84	6.0	54000	0.9
70 <sup>(c)</sup>	Light brown	PA6T/66-GF30	PESU	-	10.0	-	-
80 <sup>(c)</sup>	White	PA6T/66-GF30	PESU	-	10.0	-	-
100 <sup>(c)</sup>	Violet	PA6T/66-GF30	PESU	-	16.0	-	-

(a) Calculated from breaking capacity test  
 (b) At ambient temperature = 23 ± 1°C  
 (c) Not industrialized

## OVERALL DIMENSIONS



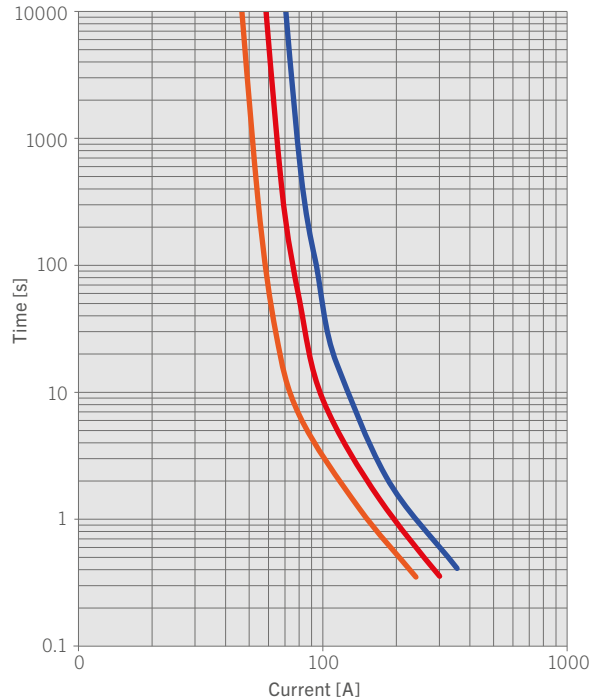
## MELTING TIME AND CURVE

Operating time limits:

% I <sub>R</sub>	Min [s]	Max [s]
100 <sup>(d)</sup>	360000	∞
135 <sup>(d)</sup>	60	600 <sup>(e)</sup>
160	10	200
200	2	60
350	0.2	7
600	0.04	1

(d) Not required for 100 A high current fuse links  
 (e) Less than ISO requirements (900 s)

Melting time graph at 23°C on test module ISO



## RERATING CURVE

