

MAXIVAL[®]



GENERAL DESCRIPTION

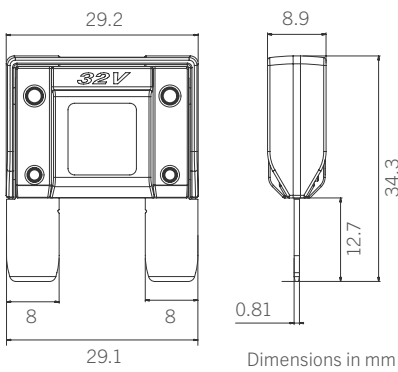
Breaking capacity	1000 A
Voltage rating	32 V
Ambient temp. + overheating	-40 °C to +125 °C
Body material	See table below
Cover material	See table below
Cover color	Transparent
Blade material	Zinc
Blade coating	Tin plated
Vibration class compliant with	ISO 16750-3 Test IV
Compliant with	ISO 8820-3 (type E) REACH, RoHS

RATINGS

Size [A]	Color coding	Body material	Cover material	Expected voltage drop [mV]	ISO cable size [mm ²]	I ² t ^(a) [A ² s]	Average cold resistance ^(b) [mΩ]
20	Yellow	PA66-GF25	PSU	105	4.0	3000	4.0
30	Green	PA66-GF25	PSU	95	4.0	7100	2.4
40	Orange	PA66-GF25	PSU	90	4.0	23000	1.5
50	Red	PA66-GF25	PSU	89	6.0	37000	1.2
60	Blue	PA66-GF25	PESU	84	6.0	54000	0.9
70	Light brown	PA6T/66-GF30	PESU	90	10.0	82000	0.9
80	White	PA6T/66-GF30	PESU	83	10.0	25000	0.8
100	Violet	PA6T/66-GF30	PESU	94	16.0	67000	0.7

(a) Calculated from breaking capacity test
(b) At ambient temperature = 23 ± 1 °C

OVERALL DIMENSIONS



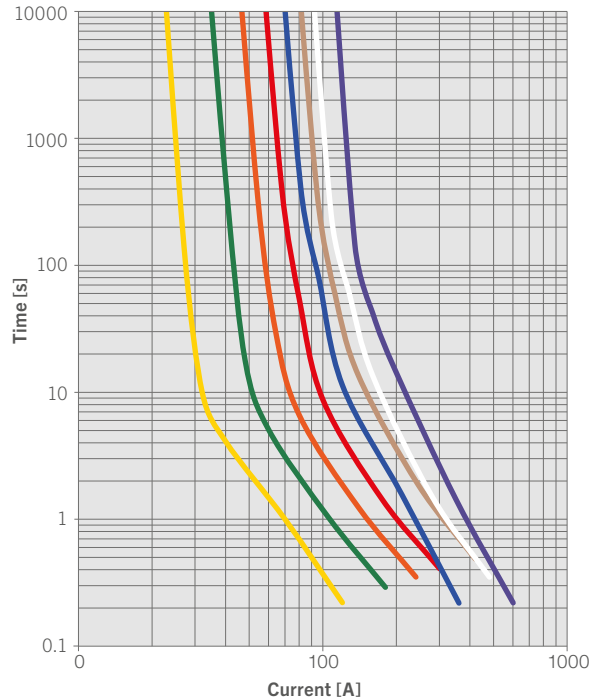
MELTING TIME AND CURVE

Operating time limits:

% I _R	Min [s]	Max [s]
100 ^(c)	360000	∞
135 ^(c)	60	600 ^(d)
160	10	200
200	2	60
350	0.2	7
600	0.04	1

(c) Not required for 100 A high current fuse links
(d) Less than ISO requirements (900 s)

Melting time graph at 23°C on test module ISO



RERATING CURVE

