

M8COMPACT®



GENERAL DESCRIPTION

Breaking capacity	1000 A
Voltage rating	32 V
Ambient temp. + overheating	-40 °C to +125 °C
Body material	See table below
Cover material	PESU
Cover color	Transparent
Blade material	Zinc
Blade coating	Tin plated
Vibration class compliant with	ISO 16750-3 Test IV
Compliant with	ISO 8820-11 (type M) REACH, RoHS

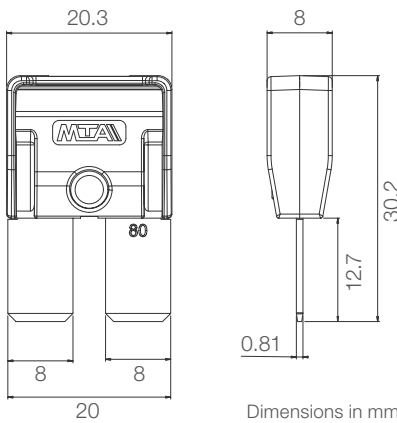
RATINGS

Size [A]	Color coding	Body material	Expected voltage drop [mV]	ISO cable size [mm ²]	I ² t* [A ² s]	Average cold resistance** [mΩ]
30	Light green	PA66-GF25	95	4.0	9000	2.4
35	Dark green	PA66-GF25	91	4.0	10000	1.9
40	Orange	PA66-GF25	85	4.0	12000	1.5
50	Red	PA66-GF25	83	6.0	17000	1.1
60	Blue	PA66-GF25	77	6.0	25000	0.9
70	Brown	PA6T/66-GF30	76	10	46000	0.7
80	Black	PA6T/66-GF30	85	10	75000	0.6

*Calculated from breaking capacity test

**At ambient temperature = 23 ±1 °C, injection time = 0.5 s

OVERALL DIMENSIONS

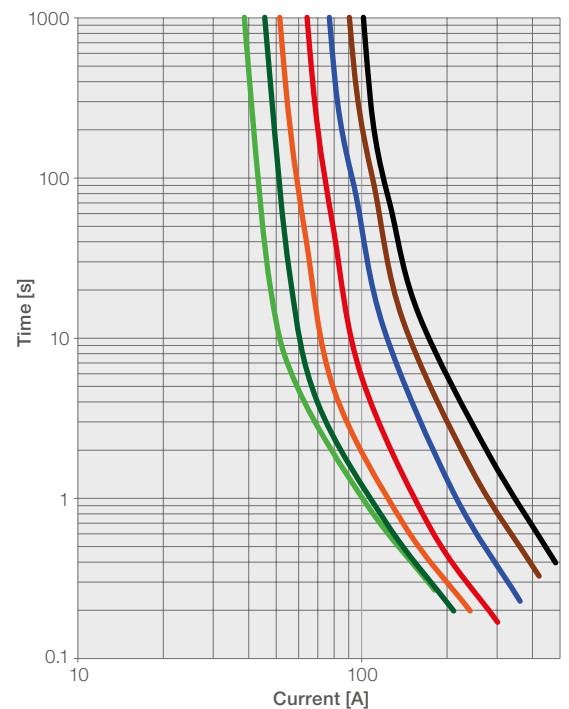


MELTING TIME AND CURVE

Operating time limits:

% I _R	Min [s]	Max [s]
100	360000	∞
135	60	900
160	10	200
200	2	60
350	0.2	7
600	0.04	1

Melting time graph at 23 °C on test module ISO



RERATING CURVE

