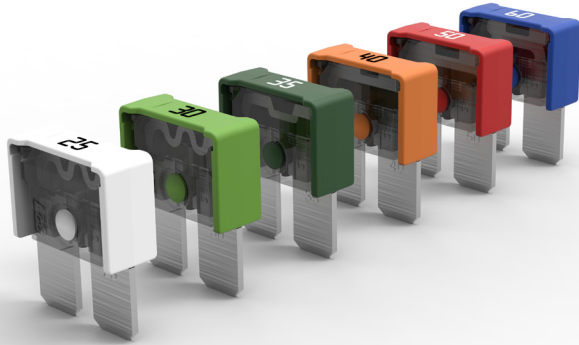


# COPPER MAXICOMPACT®



## GENERAL DESCRIPTION

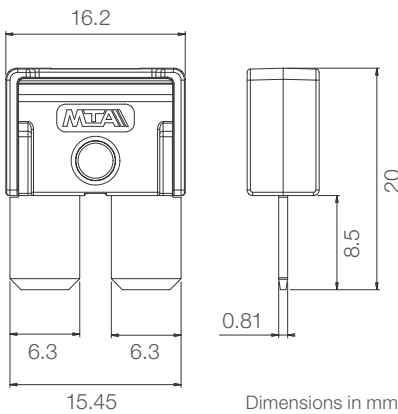
Breaking capacity	1000 A
Voltage rating	32 V
Ambient temp. + overheating	-40 °C to +150 °C
Body material	See table below
Cover material	See table below
Cover color	Transparent
Blade material	Copper
Blade coating	Silver
Vibration class compliant with	ISO 16750-3 Test IV
Compliant with	ISO 8820-10 (type L) REACH, RoHS

## RATINGS

Size [A]	Color coding	Body material	Cover material	Expected voltage drop [mV]	ISO cable size [mm²]	I <sup>2</sup> t* [A²s]	Average cold resistance** [mΩ]
25	White	PA66-GF25	PESU	117	2.5	3240	2.2
30	Light green	PA66-GF25	PESU	112	2.5	5000	1.7
35	Dark green	PA66-GF25	PESU	102	4.0	7000	1.4
40	Orange	PA66-GF25	PESU	107	4.0	8500	1.2
50	Red	PA6T/66-GF30	PEI	105	6.0	13500	1.1
60	Blue	PA6T/66-GF30	PEI	116	6.0	21000	0.8

\*Calculated from breaking capacity test  
\*\*At ambient temperature = 23 ±1 °C

## OVERALL DIMENSIONS

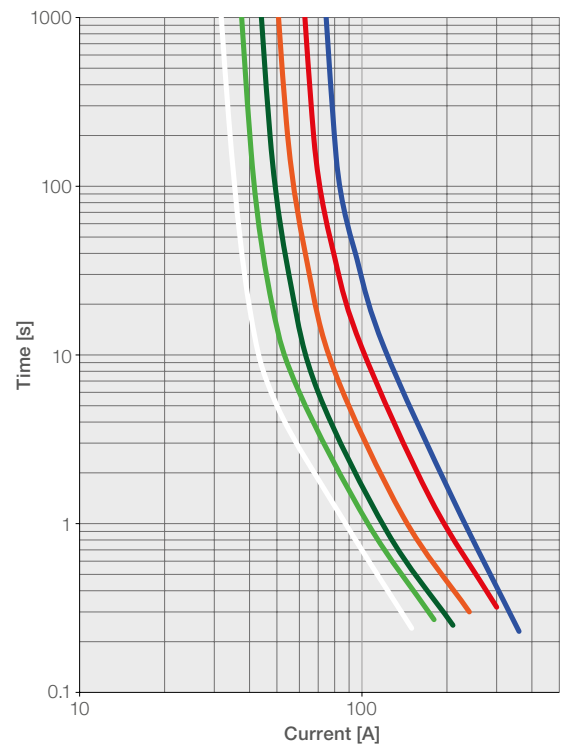


## MELTING TIME AND CURVE

Operating time limits:

% I <sub>R</sub>	Min [s]	Max [s]
1.00	360000	∞
1.35	60	900
1.60	10	200
2.00	2	60
3.50	0.2	7
6.00	0.04	1

Melting time graph at 23 °C on test module ISO



## RERATING CURVE

