

UNI^{VAL}®



GENERAL DESCRIPTION

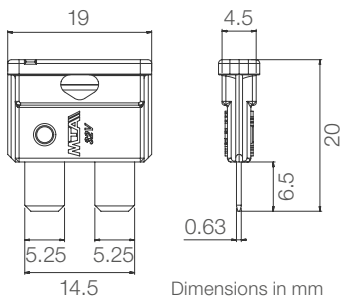
Breaking capacity	1000 A
Voltage rating	32 V
Ambient temp. + overheating	-40 °C to +125 °C
Body material	PBT-GF20
Blade material	Zinc
Blade coating	Raw or tin plated
Vibration class compliant with	ISO 16750-3 Test IV
Compliant with	ISO 8820-3 (type C) REACH, RoHS

RATINGS

Size [A]	Color coding	Expected voltage drop [mV]	ISO cable size [mm ²]	I ² t* [A ² s]	Average cold resistance** [mΩ]
1	Black	105	0.35	2	88
2	Grey	142	0.35	157	50
3	Violet	135	0.35	200	32
4	Pink	126	0.35	205	22
5	Beige	119	0.5	218	17
7.5	Brown	139	0.75	304	10
10	Red	112	1.0	320	7.1
15	Blue	104	1.5	480	4.7
20	Yellow	117	2.5	720	3.5
25	White	104	2.5	1155	2.6
30	Green	103	4.0	1843	2.0
40	Orange	101	6.0	2880	1.4

*Calculated from breaking capacity test
 **At ambient temperature = 23 ±1 °C

OVERALL DIMENSIONS

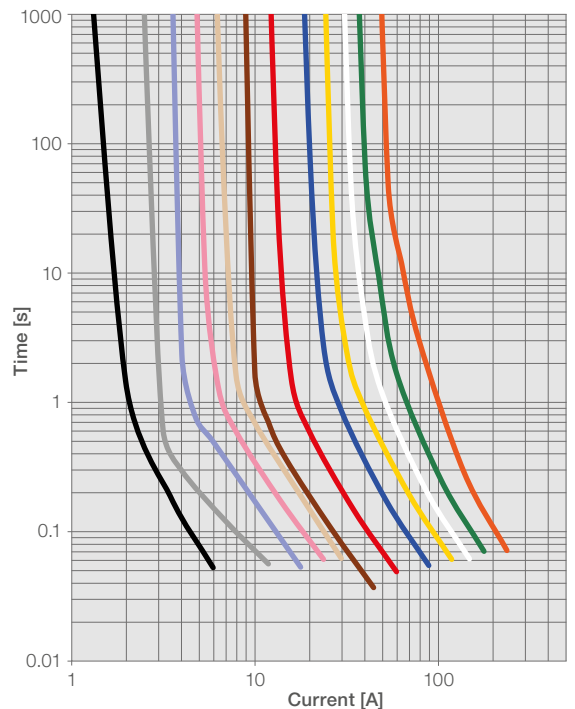


MELTING TIME AND CURVE

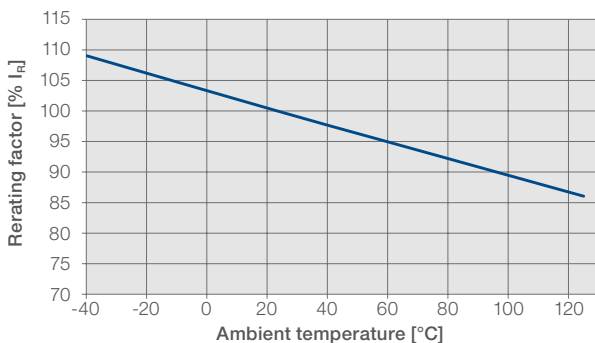
Operating time limits:

% I _R	Min [s]	Max [s]
110	360000	∞
135	0.75	600
160	0.25	50
200	0.15	5
350	0.04	0.5
600	0.02	0.1

Melting time graph at 23°C on test module ISO



RERATING CURVE



Products, information, drawings, specifications and reference numbers (hereafter "contents") discussed herein are for reference purposes only. All contents herein are provided on an "as is" basis, without warranties of any kind. The contents discussed herein remain the sole and exclusive property of MTA S.p.A. and shall not be copied, translated in whole or in part without MTA S.p.A. prior written consent. No license of any patent, copyright, mask work, trademark or any other intellectual property right is granted under this document, by implication, estoppel or otherwise. Contents may be modified and changed by MTA S.p.A. without any notice. For updates or additional information about MTA products, please contact your nearest MTA office. All brand names, trademarks and registered trademarks belong to their respective owners.